

## AS Server Network Cabinet



### Standards:

- Comply with ANSI/EIA RS-310-D、IEC297-2、DIN41494;PART1、DIN41494;PART7, ETSI standard.

### Features:

- Exquisite design with precise dimension and craftsmanship;
- Steel front & rear door without hole;
- Adjustable feet and heavy duty castors are available at the same time;
- Several lockable cable entry on top cover and bottom panel with adjustable sizes;
- Optional plinth enables cabinet to stay in a fixed position, meeting requirements of under-base cable entry/ventilation and prevention;
- Efficient cabinet buying kit(patent);
- Removable side panels, easy to install and maintain;
- Around 1/2~2/3 of original assembled volume when flat pack.

### Main material:

- SPCC cold rolled steel;
- Thickness: mounting profile 2.0mm, mounting angle 1.5mm, others 1.2mm.

### Surface finish:

- Degreasing, pickling, phosphoric, powder coated;

### Degree of protection:

- IP20

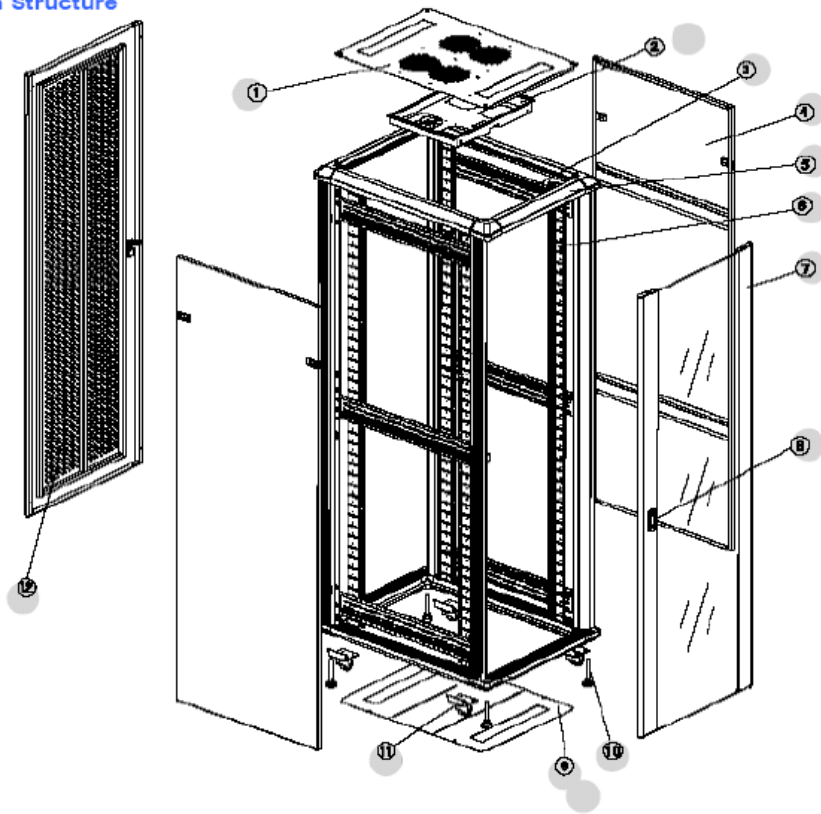
### Loading capacity:

- Static loading: 800KG

### Dimension

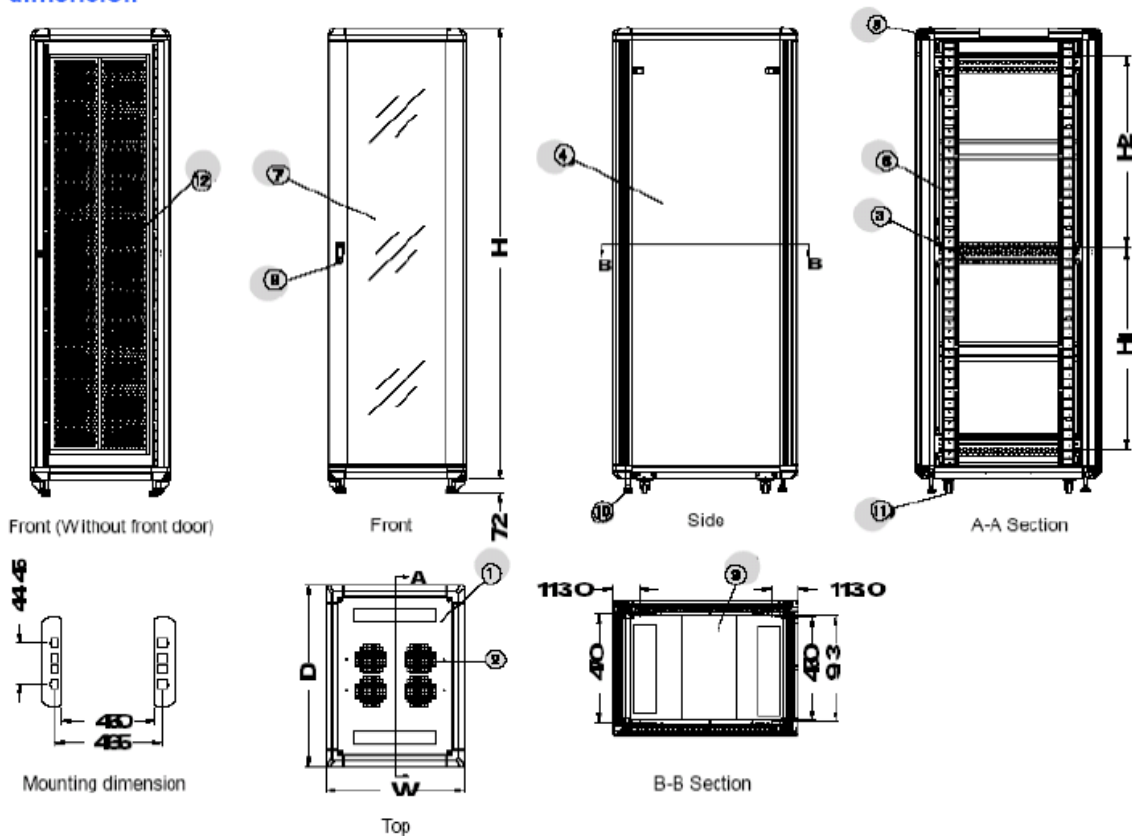
Ref	Color	Size U	Wid x Dep
TS-42U600*1000	Black	42U	600x1000
TS-32U600*1000	Black	32U	600x1000
TS-22U600*1000	Black	22U	600x1000

### Main Structure



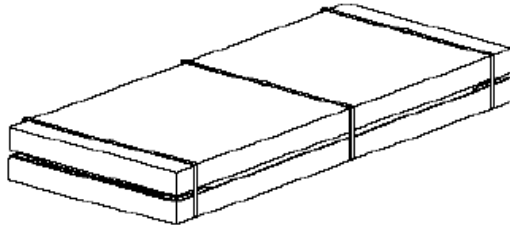
1. Top cover
2. Fan tray (optional)
3. Mounting angle
4. Side door
5. Aluminum profiled bar
6. Mounting rail
7. Front door
8. Advanced moon-shape lock
9. Bottom plate
10. Feet
11. 2" heavy duty casior
12. Vented rear door

### Main dimension

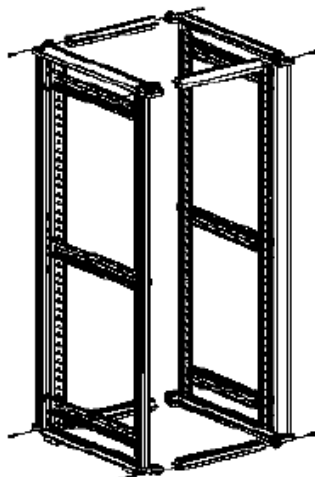
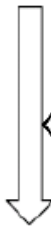
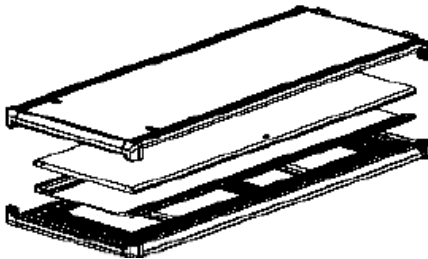


## Reducing your shipping and storage cost

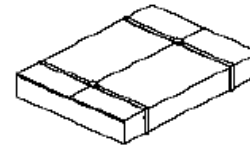
### Assembling Draft:



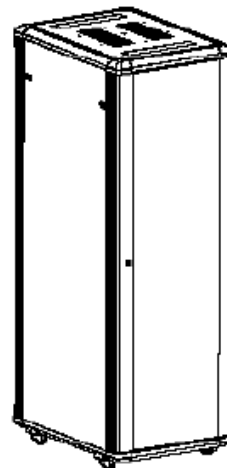
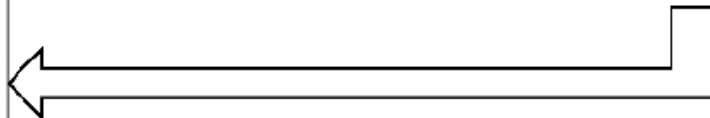
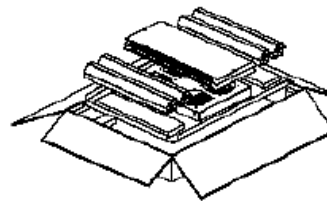
Package 1 (includes: Frame, Doors, Mounting rails )



Fast and stable assembling frame



Package 2(Mounting angles, Top, bottom and accessory)



Finished cabinet

### Assembling Specification:

1. SKD packing, each cabinet with 2 packages.
2. 2 side frames are prior assembled, when assembling, take out side doors
3. Use 8 bolts to join the 2 side frames and 4 pcs mounting rails, the cabinet frame is ready
4. Fix top ,bottom, front door, rear door, side door and other accessories in the right position, finish assembling.